

DS – DOBLE SENTIDO
FIRESTOP EI₂60 C5 / EI₂90 C5**The best solution
for high-transit corridors****ADVANTAGES**

- > Available in a wide range of standard dimensions.
- > Great value for money.
- > Custom dimensions available to adapt to any need.
- > Higher torsional stiffness of the leaf compared to the traditional assembling method.
- > Durable and highly resistant to corrosion galvanised steel sheets and epoxy powder Paint.
- > Thermal insulation 1.2 (W/m²k).
- > The standard open Z frame allows easier installation.
- > Excellent standard hardware.
- > There is a variety of extra accessories available (see our accessories catalogue).
- > Tested for up to 200.000 opening and closing cycles.
- > Laser-labeled product.
- > Certified as a whole.

CERTIFICATES

- > Fire resistance of 60 and 90 minutes according to European Regulation EN 1634-1:2014.
- > C5 Durability Certificate according to European Regulation EN 1191:2012.
- > ISO 9001:2015 Certificate.

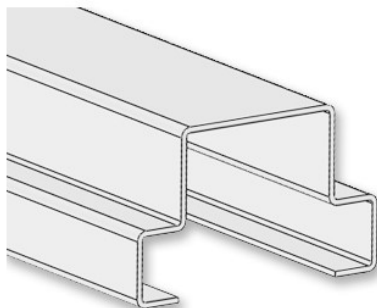
DOOR LEAF

- > Made of 0.7 or 0.9mm thick galvanised steel sheets and assembled by a roll-forming machine that folds the edges twice, stitching the lid and the tray parts of the leaf.
- > Rockwool insulation: 145/180kg/m³.
- > Galvanised steel stiffeners.
- > Hexagonal 14x36mm zinc-plated anti-burglary pin.
- > Door thickness: 53mm approximately.
- > Approximate weight: 25/29 kg/m².
- > Leaf bottom prepared for automatic threshold installation.



DS – DOBLE SENTIDO
FIRESTOP EI₂60 C5 / EI₂90 C5

**The best solution
for high-transit corridors**



DOOR FRAME

- > Made of 1.5mm thick galvanised steel with reduced thermal conductivity
- > Special ASTURMADI designed DS special frame
- > The 230x1.5 mm cold-laminated steel fixing anchors can be used on any kind of wall
- > Includes 50x2.5 mm sheet steel separators

FINISHES

- > The sheet is painted with thermosetting epoxy powder
- > 100 microns thick paint coat on the leaf and 120 microns on the frame.
- > Standard colour: grey RAL 7038.
- > The colour white RAL 9010 is also available without additional costs (See full colours chart in our catalogue).
- > ANTIBACTERIAL paint with added silver nitrate option.

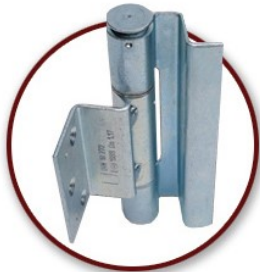


RAL 7038 Gris



DS – DOBLE SENTIDO
FIRESTOP EI₂60 C5 / EI₂90 C5

**The best solution
for high-transit corridors**



STANDARD ACCESSORIES

- > 3mm thick galvanised steel hinges, secured to the leaf with M6x16 zinc-plated screws and welded to the frame. The lower hinge is self-closing.
- > 15x2mm graphite intumescent seal that expands 14 times its size at Ta > 190°C.
- > Wide range of anti-panic devices (stainless steel available) (not included in the price).
- > Door closers (not included in the price).
- > Lintel at the top of the door.

OPTIONAL ACCESSORIES

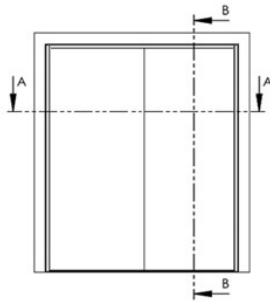
- > Wide range of handles and knobs (stainless steel option).
- > Round or rectangular vision panels in a great variety of dimensions (stainless steel available).
- > Ventilation grids.
- > Fixing latches.
- > Electromagnetic retainer.
- > Automatic threshold.



DS – DOBLE SENTIDO
FIRESTOP EI₂60 C5 / EI₂90 C5

The best solution
for high-transit corridors

MEASURES



ANCHO STANDARD / Standard Width / Largeur Standard					
HUECO LIBRE Clear Passage Passage Libre				A = MEDIDA TOTAL A = Total Dimension A = Hors Tout	HUECO OBRA RECOMENDADO Rec. Struct. Opening Tableau Recommandé
ACT	PAS		=		
600	600		1280	1370	1380
700	600		1380	1470	1480
700	700		1480	1570	1580
810	700		1580	1680	1690
810	810		1700	1790	1800
900	810	+	1790	1880	1890
900	900		1880	1970	1980
1000	900		1980	2070	2080
1000	1000		2080	2170	2180
1100	1000		2180	2270	2280
1100	1100		2280	2370	2380

ALTO STANDARD / Standard Height / Hauteur Standard		
HUECO LIBRE Clear Passage Passage Libre	B = MEDIDA TOTAL B = Total Dimension B = Hors Tout	HUECO OBRA RECOMENDADO Rec. Struct. Opening Tableau Recommandé
2000	2050	2055
2100	2150	2155